

Features

- Stopping plug series for covering unused enclosure openings for cable entries
- Brass nickel-plated or stainless steel AISI 316
- Metric and NPT versions available
- Certified Ex db, Ex eb and Ex tb (metric versions)
- Certified Ex eb and Ex tb (NPT versions)
- Suitable for operation in Zones 1, 2, 21 and 22
- Suitable for operation in Class I, Zone 1/2/22
- Suitable for operation in Class I, Division 2 when installed in accordance with NEC501.10(B)(2)
- Degree of protection IP66 / IP68, UL Type 4X



Function

The metal stopping plugs type SP.MD* are suitable for safely closing openings and holes for cable entries that are not used in enclosures certified according to type of protection Ex eb or Ex tb. Metric versions can be used with Ex db enclosures, too.

Type Code / Model Number

Series

SP stopping plugs

Type

MD metal stopping plugs, hexagon head

Thread

M* metric ISO pitch 1.5; sizes see dimensions data table

NPT* NPT ANSI ASME B1.20.1; sizes see dimensions data table

Material

BN brass nickel-plated

SS stainless steel

Material Seals / O-Ring

C chloroprene / neoprene

S silicone

X no seal

Thread length for installation in enclosure

****** length in mm

Packaging unit


units not packaged, for use in Pepperl+Fuchs Solution Engineering Centers

K** units quantity per package

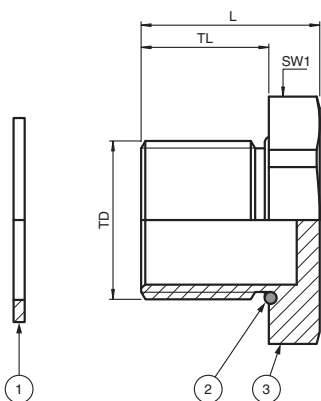
SP	.xx	.xxx	.xx	.x	.nn	.Knn	
SP	.MD	.M20	.SS	.C	.15	.K01	Example

Example: Stopping plug metal, hexagon head, thread size M20, body stainless steel, chloroprene O-ring for -40 °C ... 100 °C, installation thread length 15 mm, one piece

Release date 2019-09-13 T176941

Technical Data	
Mechanical specifications	
Dimensions	see data tables
Thread type	metric ISO pitch 1.5 mm or NPT ANSI ASME B1.20.1
Degree of protection	IP66 / IP68, UL Type 4X
Mass	see data tables
Material	
Stopping plug	brass nickel-plated or AISI 316 (1.4401) stainless steel
Finish	inherent color silver
O-Ring	chloroprene / neoprene or silicone
Washer gasket	aramid fibers bonded with NBR
Ambient conditions	
Ambient temperature	chloroprene O-ring: -40 ... 100 °C (-40 ... 212 °F) silicone O-ring: -60 ... 130 °C (-76 ... 266 °F) washer gasket: -40 ... 80 °C (-40 ... 176 °F) Service temperature might be limited by the use of O-rings or washer gaskets.
Data for application in connection with hazardous areas	
EU-Type Examination Certificate	CESI 15ATEX029X
Marking	 II 2 GD Ex db IIC Gb (metric versions only) Ex eb IIC Gb Ex tb IIIC Db
International approvals	
UL approval - cULus	E305142 tested to UL 50E and UL 508A
CSA approval	CSA C22.2, No. 14-13
IECEX approval	IECEX CES 15.0006X
EAC approval	TC RU C-TR.GB05.B.00918
Conformity	
Degree of protection	EN 60529
CE marking	0102
General information	
Supplementary information	EC-Type Examination Certificate, Statement of Conformity, Declaration of Conformity, Attestation of Conformity and instructions have to be observed where applicable. For information see www.pepperl-fuchs.com .
Scope of delivery	K01 - metric variants, individual component: Stopping Plug, washer gasket, locknut, brief instructions K01 - NPT variants, individual component: Stopping Plug, brief instructions Knn - packing unit with multiple components: Stopping Plugs, brief instructions (1 copy)

Dimensions



Legend	
1	Washer gasket (accessory, metric versions only)
2	O-Ring (metric versions only)
3	Stopping plug
L	Total length
SW*	Width across flats
TD	Thread size
TL	Thread length

For details see data tables

Dimensions Metric - Brass Nickel-plated, O-Ring Chloroprene

Type	Thread size	Dimensions [mm]			Mass approx.		Diameter thru-hole [mm]	Nut torques [Nm]		Delivery quantity
	TD	L	TL	SW1	Component	Packaging unit	DT	SW1		
SPMD.M16.BN.C.15.K01	M16	21	15.5	22	29 g	38 g	16 ... 16.2	4	1	
SPMD.M16.BN.C.15.K50	M16	21	15.5	22	29 g	1.6 kg	16 ... 16.2	4	50	
SPMD.M20.BN.C.15.K01	M20	21	15.5	25	36 g	52 g	20 ... 20.2	6	1	
SPMD.M20.BN.C.15.K50	M20	21	15.5	25	36 g	1.98 g	20 ... 20.2	6	50	
SPMD.M25.BN.C.15.K01	M25	21	15.5	30	49 g	68 g	25 ... 25.2	8.5	1	
SPMD.M25.BN.C.15.K50	M25	21	15.5	30	49 g	2.7 g	25 ... 25.2	8.5	50	
SPMD.M32.BN.C.15.K01	M32	21	15.5	37	69 g	93 g	32 ... 32.3	9	1	
SPMD.M32.BN.C.15.K25	M32	21	15.5	37	69 g	1.9 kg	32 ... 32.3	9	25	
SPMD.M40.BN.C.17.K01	M40	23	17.5	45	106 g	140 g	40 ... 40.3	9.5	1	
SPMD.M40.BN.C.17.K10	M40	23	17.5	45	106 g	1.17 kg	40 ... 40.3	9.5	10	
SPMD.M50.BN.C.17.K01	M50	23	17.5	55	148 g	217 g	50 ... 50.3	10	1	
SPMD.M50.BN.C.17.K05	M50	23	17.5	55	148 g	810 g	50 ... 50.3	10	5	
SPMD.M63.BN.C.17.K01	M63	23	17.5	70	313 g	423 g	63 ... 63.3	10.5	1	
SPMD.M63.BN.C.17.K05	M63	23	17.5	70	313 g	1.72 kg	63 ... 63.3	10.5	5	

Dimensions Metric - Stainless Steel, O-Ring Chloroprene

Type	Thread size	Dimensions [mm]			Mass approx.		Diameter thru-hole [mm]	Nut torques [Nm]		Delivery quantity
	TD	L	TL	SW1	Component	Packaging unit	DT	SW1		
SPMD.M16.SS.C.15.K01	M16	21	15.5	22	29 g	39 g	16 ... 16.2	4	1	
SPMD.M16.SS.C.15.K50	M16	21	15.5	22	29 g	1.58 kg	16 ... 16.2	4	50	
SPMD.M20.SS.C.15.K01	M20	21	15.5	25	34 g	46 g	20 ... 20.2	6	1	
SPMD.M20.SS.C.15.K50	M20	21	15.5	25	34 g	1.87 kg	20 ... 20.2	6	50	
SPMD.M25.SS.C.15.K01	M25	21	15.5	30	51 g	69 g	25 ... 25.2	8.5	1	
SPMD.M25.SS.C.15.K50	M25	21	15.5	30	51 g	2.81 kg	25 ... 25.2	8.5	50	
SPMD.M32.SS.C.15.K01	M32	21	15.5	37	67 g	90 g	32 ... 32.3	9	1	
SPMD.M32.SS.C.15.K25	M32	21	15.5	37	67 g	1.84 kg	32 ... 32.3	9	25	
SPMD.M40.SS.C.17.K01	M40	23	17.5	45	105 g	142 g	40 ... 40.3	9.5	1	
SPMD.M40.SS.C.17.K10	M40	23	17.5	45	105 g	1.16 kg	40 ... 40.3	9.5	10	
SPMD.M50.SS.C.17.K01	M50	23	17.5	55	151 g	197 g	50 ... 50.3	10	1	
SPMD.M50.SS.C.17.K05	M50	23	17.5	55	151 g	830 g	50 ... 50.3	10	5	
SPMD.M63.SS.C.17.K01	M63	23	17.5	70	287 g	387 g	63 ... 63.3	10.5	1	
SPMD.M63.SS.C.17.K05	M63	23	17.5	70	287 g	1.58 kg	63 ... 63.3	10.5	5	

*Knn: scope of delivery see table technical data

Release date 2019-09-13 T176941

Dimensions NPT - Brass Nickel-plated

Type	Thread size	Dimensions [mm]			Mass approx.		Diameter thru-hole [mm]	Nut torques [Nm]		Delivery quantity
	TD	L	TL	SW1	Component	Packaging unit	DT	SW1		
SPMD.NPT3/8.BN.X.16.K01	NPT 3/8"	20	16	20	24 g	34 g	17.2 ... 17.4	7	1	
SPMD.NPT3/8.BN.X.16.K50	NPT 3/8"	20	16	20	24 g	1.32 kg	17.2 ... 17.4	7	50	
SPMD.NPT1/2.BN.X.18.K01	NPT 1/2"	22	18	24	44 g	54 g	21.4 ... 21.6	8	1	
SPMD.NPT1/2.BN.X.18.K50	NPT 1/2"	22	18	24	44 g	2.42 kg	21.4 ... 21.6	8	50	
SPMD.NPT3/4.BN.X.18.K01	NPT 3/4"	22	18	28	62 g	72 g	26.7 ... 26.9	9	1	
SPMD.NPT3/4.BN.X.18.K50	NPT 3/4"	22	18	28	62 g	3.41 kg	26.7 ... 26.9	9	50	
SPMD.NPT1.BN.X.21.K01	NPT 1"	25	21	35	92 g	102 g	33.5 ... 33.7	11	1	
SPMD.NPT1.BN.X.21.K25	NPT 1"	25	21	35	92 g	2.53 kg	33.5 ... 33.7	11	25	
SPMD.NPT1-1/4.BN.X.21.K01	NPT 1-1/4"	25	21	45	129 g	139 g	42.2 ... 42.4	13	1	
SPMD.NPT1-1/4.BN.X.21.K10	NPT 1-1/4"	25	21	45	129 g	1.42 kg	42.2 ... 42.4	13	10	
SPMD.NPT1-1/2.BN.X.21.K01	NPT 1-1/2"	26	21	50	177 g	187 g	48.3 ... 48.5	15	1	
SPMD.NPT1-1/2.BN.X.21.K05	NPT 1-1/2"	26	21	50	177 g	970 g	48.3 ... 48.5	15	5	
SPMD.NPT2.BN.X.21.K01	NPT 2"	26	21	65	274 g	284 g	60.4 ... 60.7	18	1	
SPMD.NPT2.BN.X.21.K05	NPT 2"	26	21	65	274 g	1.51 kg	60.4 ... 60.7	18	5	

Dimensions NPT - Stainless Steel

Type	Thread size	Dimensions [mm]			Mass approx.		Diameter thru-hole [mm]	Nut torques [Nm]		Delivery quantity
	TD	L	TL	SW1	Component	Packaging unit	DT	SW1		
SPMD.NPT3/8.SS.X.16.K01	NPT 3/8"	20	16	20	22 g	32 g	17.2 ... 17.4	7	1	
SPMD.NPT3/8.SS.X.16.K50	NPT 3/8"	20	16	20	22 g	1.21 kg	17.2 ... 17.4	7	50	
SPMD.NPT1/2.SS.X.18.K01	NPT 1/2"	22	18	24	42 g	46 g	21.4 ... 21.6	8	1	
SPMD.NPT1/2.SS.X.18.K50	NPT 1/2"	22	18	24	42 g	2.31 kg	21.4 ... 21.6	8	50	
SPMD.NPT3/4.SS.X.18.K01	NPT 3/4"	22	18	28	59 g	61 g	26.7 ... 26.9	9	1	
SPMD.NPT3/4.SS.X.18.K50	NPT 3/4"	22	18	28	59 g	3.25 kg	26.7 ... 26.9	9	50	
SPMD.NPT1.SS.X.21.K01	NPT 1"	25	21	35	87 g	97 g	33.5 ... 33.7	11	1	
SPMD.NPT1.SS.X.21.K25	NPT 1"	25	21	35	87 g	2.39 kg	33.5 ... 33.7	11	25	
SPMD.NPT1-1/4.SS.X.21.K01	NPT 1-1/4"	25	21	45	122 g	132 g	42.2 ... 42.4	13	1	
SPMD.NPT1-1/4.SS.X.21.K10	NPT 1-1/4"	25	21	45	122 g	1.34 kg	42.2 ... 42.4	13	10	
SPMD.NPT1-1/2.SS.X.21.K01	NPT 1-1/2"	26	21	50	168 g	178 g	48.3 ... 48.5	15	1	
SPMD.NPT1-1/2.SS.X.21.K05	NPT 1-1/2"	26	21	50	168 g	920 g	48.3 ... 48.5	15	5	
SPMD.NPT2.SS.X.21.K01	NPT 2"	26	21	65	260 g	270 g	60.4 ... 60.7	18	1	
SPMD.NPT2.SS.X.21.K05	NPT 2"	26	21	65	260 g	1.43 kg	60.4 ... 60.7	18	5	

*Knn: scope of delivery see table technical data

Release date 2019-09-13 T176941